



sunshineorthopaedic
services

6/129 Robinson Road, Geelong QLD 4034 | 29 Short Street, Nambour QLD 4560

1300 652 382 | 07 3112 6125 | sales@sunshineorthopaedics.com.au

www.sunshineorthopaedics.com.au

EUROCHAIR VARIO 1.750



Name:	
Address:	
Suburb:	
Postcode:	
Ph Number:	

<input type="checkbox"/>	1.75	Meyra Eurochair Manual Folding Wheelchair	Add Charge
--------------------------	------	---	------------

Standard Features

<input checked="" type="checkbox"/>	61	24 inch Rear Wheels	Incl
<input checked="" type="checkbox"/>	622	Back Canes with lumbar curve	Incl
<input checked="" type="checkbox"/>	455	3 Hole Ajustable front fork	Incl
<input checked="" type="checkbox"/>	494	Aluminium Adjustable width Pushrim	Incl
<input checked="" type="checkbox"/>	4919	Frame color Silverline	Incl
<input checked="" type="checkbox"/>	287	Upholstery Cover Black	Incl

Select Seat Width

<input type="checkbox"/>	38	Seat Width set at 38cm	Incl
<input type="checkbox"/>	40	Seat Width set at 40cm	Incl
<input type="checkbox"/>	43	Seat Width set at 43cm	Incl
<input type="checkbox"/>	46	Seat Width set at 46cm	Incl
<input type="checkbox"/>	48	Seat Width set at 48cm	Incl
<input type="checkbox"/>	50	Seat Width set at 50cm	Add Charge
<input type="checkbox"/>	53	Seat Width set at 53cm	Add Charge

Select Seat Depth

<input type="checkbox"/>	615	Seat Depth set at 40cm	Incl
<input type="checkbox"/>	788	Seat Depth set at 43cm	Incl
<input type="checkbox"/>	619	Seat Depth set at 46cm	Incl

Select Backrest Height (Back with Lumbar Curve)

<input type="checkbox"/>	635	Backrest Height set at 40	Incl
<input type="checkbox"/>	442	Backrest Height set at 42	Incl
<input type="checkbox"/>	444	Backrest Height set at 44	Incl
<input type="checkbox"/>	638	Tension Adjustable Upholstery	Add Charge

Select Armrest Type

<input type="checkbox"/>	70	Long, Flip up, Fold away and removable	Incl
<input type="checkbox"/>	107	Height Adjustable, Long, Flip up, Fold away and removable	Incl
<input type="checkbox"/>	Custom	Custom Armrest pad	Add Charge

Select Legrest Type

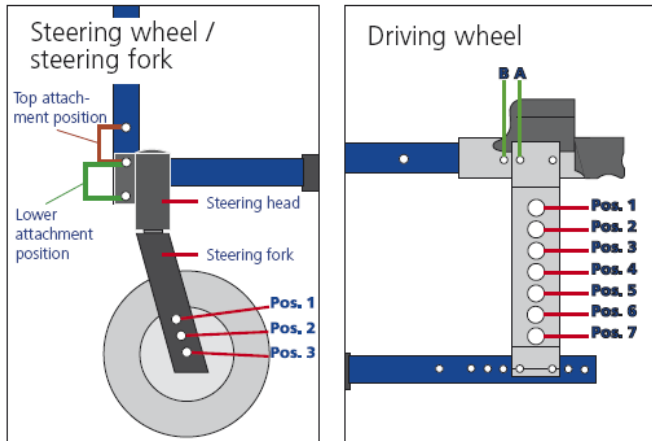
<input type="checkbox"/>	93	Swingaway individual (inwards and outwards) and removable legrests	Incl
<input type="checkbox"/>	92	Elevating Legrests Pair	Add Charge
<input type="checkbox"/>	757	Elevating Legrests Left	Add Charge
<input type="checkbox"/>	758	Elevating Legrests Right	Add Charge
<input type="checkbox"/>		Stump Support Left	Add Charge
<input type="checkbox"/>		Stump Support Right	Add Charge

Select Brake Type

<input type="checkbox"/>	651	Standard Pressure Brake	Incl
<input type="checkbox"/>	680/706	Drum Brakes	Add Charge
<input type="checkbox"/>	986	Brake Extension Lever (each)	Add Charge

Accessories

<input type="checkbox"/>	691	Anti Tippers (Pair)	Add Charge
<input type="checkbox"/>	166	Silicon Handrim Cover	Add Charge
<input type="checkbox"/>		Spoke Protector (Pair)	Add Charge
<input type="checkbox"/>		Pelvic Belt with Metal closure	Add Charge
<input type="checkbox"/>		Pelvic Belt (other)	Add Charge
<input type="checkbox"/>	154	6 inch front caster	Incl
<input type="checkbox"/>	164	7 inch front caster	Incl
<input type="checkbox"/>	173	Hemi Kit (Short Caster and 22 inch rear wheel)	Add Charge
<input type="checkbox"/>		Seat Cushion	Add Charge
<input type="checkbox"/>			
<input type="checkbox"/>	CRxxx	Cushion Rigidiser	Add Charge
<input type="checkbox"/>	sos-tray	Tray to suit seat width	Add Charge



Model 1.750 front seat height in cm, please mark								
Settings	24 x 1 ^{3/8} "							
	<input type="radio"/> 43 ⁷⁾	<input type="radio"/> 43.5 ⁷⁾	<input type="radio"/> 45.0 ⁷⁾	<input type="radio"/> 47	<input type="radio"/> 48.5	<input type="radio"/> 50	<input type="radio"/> 50	<input type="radio"/> 51.5
Pos. castor stem on frame	top	top	top	bottom	bottom	bottom	bottom	bottom
Steering fork	long fork	long fork	long fork	long fork	long fork	long fork	long fork	long fork
	Code 455	Code 455	Code 455	Code 455	Code 455	Code 455	Code 455	Code 455
Position in steering fork	Pos. 1	Pos. 1	Pos. 2	Pos. 1	Pos. 2	Pos. 3	Pos. 2	Pos. 3
Steering wheel	ø 125 solid rubber	ø 142 soft solid rubber	ø 142 soft solid rubber	ø 142 soft solid rubber	ø 142 soft solid rubber	ø 142 soft solid rubber	7" Air/PUS solid rubber	7" Air/PUS solid rubber
	Code 325	Code 154	Code 154	Code 154	Code 154	Code 154	645/164 161	645/164 161
Pos. drive wheel in vario plate	Pos. 2	Pos. 2	Pos. 2	Pos. 3	Pos. 3	Pos. 4	Pos. 4	Pos. 5
Driving wheel	24 x 1 ^{3/8} "	24 x 1 ^{3/8} "	24 x 1 ^{3/8} "	24 x 1 ^{3/8} "	24 x 1 ^{3/8} "	24 x 1 ^{3/8} "	24 x 1 ^{3/8} "	24 x 1 ^{3/8} "
	Code 61	Code 61	Code 61	Code 61	Code 61	Code 61	Code 61	Code 61

Hemi-seat heights with side-ward displacement of castor stem			
22 x 1 ^{3/8} "			
<input type="radio"/> 39	<input type="radio"/> 40	<input type="radio"/> 42	<input type="radio"/> 43
top	top	bottom	bottom
Short steering fork	Short steering fork	Short steering fork	Short steering fork
Code 173	Code 173	Code 173	Code 173
Pos. 2	Pos. 2	Pos. 2	Pos. 2
ø 125 solid rubber	ø 125 solid rubber	ø 125 solid rubber	ø 125 solid rubber
Code 325	Code 154	Code 325	Code 154
Pos. 1	Pos. 1	Pos. 2	Pos. 2
22 x 1 ^{3/8} "	22 x 1 ^{3/8} "	22 x 1 ^{3/8} "	22 x 1 ^{3/8} "
Code 67	Code 67	Code 67	Code 67