

LIGHTWEIGHT WHEELCHAIRS

PRODUCT CHARACTERISTICS IN THE OVERVIEW

• EUROCHAIR VARIO 1.750



EUROCHAIR VARIO 1.750



EFFICIENCY

- Durable product through the use of high grade materials and expert workmanship, little need for repairs
- Extensive accessory program from the Eurochair building block system
- Long term assurance of spare parts provision through an area wide dealer structure
- Optimal reimplementation through easy adaptation to the new user

THERAPEUTIC BENEFIT

- Enhances the independent mobility through fine tuned adjustment of seat, back support and chassis to the user requirements
- Retrospective refitting and adaptation possible
- Better light running characteristics with little propulsion strength
- Simple operation and reduced weight ease everyday handling

FIELD OF APPLICATION

- Full equipment for continuous daily use
- For optimal provision of many diseases through a high level of adjustment variety
- Mostly implemented at home, but also in rehabilitation clinics to achieve therapeutic goals
- For large and broader people



CODES EUROCHAIR VARIO 1.750

EURMEYRA CHAIR
Modell 1.750

	Width of seat [cm]	38 Code 38 <input type="radio"/>	40 Code 40 <input type="radio"/>	43 Code 43 <input type="radio"/>	46 Code 46 <input type="radio"/>	48 Code 48 <input type="radio"/>	50 ¹⁾ Code 350 <input type="radio"/>	53 ¹⁾ Code 53 <input type="radio"/>	
	Seat strap depth [cm]	40 refittable to 43 cm ⁶⁾ Code 615 <input type="radio"/>	43 Code 788 <input type="radio"/>	46 ⁷⁾ Code 619 <input type="radio"/>			Seat height [cm]	39 - 51,5 ²⁾ view table	Please note desired seat height _____ cm
	Back strap height [cm]	40 ⁶⁾ Code 635 <input type="radio"/>	42 ⁶⁾ Code 442 <input type="radio"/>	44 ⁶⁾ Code 444 <input type="radio"/>			Back rest	with lumbar bend Code 622 <input type="radio"/>	without lumbar bend Code 621 <input type="radio"/>
	Side element removable and lockable	slanted Code 12 <input type="radio"/>	long, fold-away and swivel-away Code 70 <input type="radio"/>	fold-away and swivel-away Code 577 <input type="radio"/>	fold-away and height adjustable ⁸⁾ Code 107 <input type="radio"/>				
	Leg supports upper part removable	height adjustable, lockable Code 92 (pair) <input type="radio"/> Code 757 (left) <input type="radio"/> Code 758 (right) <input type="radio"/>	divided, removable, swivel-away Code 93 (pair) <input type="radio"/> Code 759 (left) <input type="radio"/> Code 760 (right) <input type="radio"/>	without Leg supports Code 94 <input type="radio"/>					
	Lower leg support LSL adjustable	Foot plates plastic, separate Code 805 <input type="radio"/>							
	Brakes	Pressure Brake Code 651 <input type="radio"/>	Drum Brakes 2 x Pressure brake for driver + 2 x drum brakes for attendant Code 680 / 706 <input type="radio"/>						
	Wheel size Drive wheel ²⁾	22" Code 67 <input type="radio"/>	24" Code 61 <input type="radio"/>		Tyres Driving wheel	Standard air tyres 24 / 22 x 1 ^{3/8} " Code 486 / 896 <input type="radio"/>	Puncture proof PU-tyre 24/22 x 1 ^{3/8} " Code 902 / 896 <input type="radio"/>		
	Wheel size Steering wheel ²⁾	Soft solid rubber X 142 Code 154 <input type="radio"/>	Solid rubber X 100 Code 151 <input type="radio"/>	PUS-wheel 7 x 1 ^{3/4} " Code 161 <input type="radio"/>	Solid rubber 7" Code 164 <input type="radio"/>	Solid rubber X 125 Code 325 <input type="radio"/>	Air tyres 7 x 1 ^{3/4} " Code 645 <input type="radio"/>		
	Steering fork ²⁾	Plastic fork (3 holes) Code 455 <input type="radio"/>		hand-Tyres	Steel chrome plated ⁴⁾ Code 495 / 692 <input type="radio"/>	Aluminium ⁴⁾ Code 494 / 692 <input type="radio"/>			
	Support castors	insertable Code 691 pair <input type="radio"/> Code 712 left <input type="radio"/> Code 713 right <input type="radio"/>	swivel-away Code 728 pair <input type="radio"/> Code 729 left <input type="radio"/> Code 730 right <input type="radio"/>		Wheel base extension	6 cm ⁵⁾ Code 880 <input type="radio"/>			
	Lighting	Passive Code 819 <input type="radio"/>		Seat cushion	3 cm thick Code 560 <input type="radio"/>				
	Colours	Frame	Cover	Seat cushion					
		<input type="radio"/> Code 4919 Silverline	<input type="radio"/> Code 287 Black, polyester	<input type="radio"/> Code 235	Deep black, fabric				
		<input type="radio"/> Code 229 Marine blue							
		<input type="radio"/> Code 230 Burgundy							
		<input type="radio"/> Code 4008 Topaz green							

Further frame colours are possible upon enquiry and at extra charge!

Standard-Version

In case of no selection, we will generally supply the standard-version!

Technical specialities

Construction groups are **generally not serially** combinable!

- 1) Reinforced version
- 2) View table seat height
- 4) Standard manufacturer handrim distance 15 mm
Refittable to 25 mm.
- 5) Only in combination with 24" (3 cm rear back tube centre)
- 6) Refittable
- 7) With adapter set
- 8) Only applicable from SH 47 cm

Further equipment versions

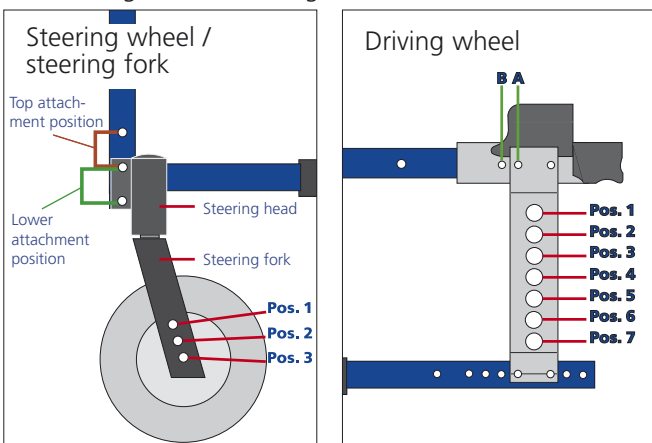
Code description

- 52 Amputee leg support pair
- 4507 Amputee leg support, right
- 4508 Amputee leg support, left
- 166 Silicone handrim covers, black, smooth surface
- 168/693 Silicone handrim for Tetraplegics (only 24")
- 489 Hand and spoke guard
- 502 Pushing handles, 18 cm steplessly height adjustable (only BH 40/42 cm)

Seat height versions on model 1.750

Determination of Codes

for steering wheel, steering fork and drive wheel



- 628 Adjustable back strap, back height 42 cm, adjustable to back height 40 cm
- 746 Manoeuvring rollers, braked
- 747 Manoeuvring rollers, not braked
- 798 Footplate, depth and angle adjustable
- 814 Traverse push bar
- 822 Shoe fastening strap (pair)
- 823 Heel cups, (pair)
- 833 Seatbelt
- 912 Air pump with holder
- 917 Height adjustment for arm support
Code 12, Code 70 and Code 577
- 929 Therapy table adjustable (plexiglas)
- 930 Therapy table (plexiglas)
- 931/60 Half tray therapy table Plexiglas, left
- 931/74 Half tray therapy table Plexiglas, right
- 936 Plastic sliding board
- 951 Accessory net
- 962 Universal rucksack with outer pocket
- 970 Cane holder
- 986 Insertable brake lever extension

Hemi-Codes

Code Description

- 173 Short steering fork, sideward displacement 9)
- 650 / 60 One-hand pressure brake, left operation, incl. fold-away brake lever long
- 650 / 74 One-hand pressure brake, right operation, incl. fold-away brake lever long
- 946 Calf straps for single footplates 10)
- 4906 Hemi-distancer block for sideward displaced castor stem, assembly kit
- 4960/74 Adapter set for Hemi-arm support, right, i.c.w. side element Code 107, adaptable to common Hemi-arm supports
- 4960/60 Adapter set for Hemi-arm support, left, i.c.w. side element Code 107, adaptable to common Hemi-arm supports
- 4961/74 Adapter set for adjustable Hemi-arm support, right, i.c.w. side element Code 107, adaptable to common Hemi-arm supports
- 4961/60 Adapter set for adjustable Hemi-arm support, left, i.c.w. side element Code 107, adaptable to common Hemi-arm supports

Model 1.750 front seat height in cm, please mark								
Settings	24 x 1 ³ / ₈ "							
	○ 43 ⁷⁾	○ 43.5 ⁷⁾	○ 45.0 ⁷⁾	○ 47	○ 48.5	○ 50	○ 50	○ 51.5
Pos. castor stem on frame	top	top	top	bottom	bottom	bottom	bottom	bottom
Steering fork	long fork	long fork	long fork	long fork	long fork	long fork	long fork	long fork
	Code 455	Code 455	Code 455	Code 455	Code 455	Code 455	Code 455	Code 455
Position in steering fork	Pos. 1	Pos. 1	Pos. 2	Pos. 1	Pos. 2	Pos. 3	Pos. 2	Pos. 3
Steering wheel	ø 125 solid rubber	ø 142 soft solid rubber	ø 142 soft solid rubber	ø 142 soft solid rubber	ø 142 soft solid rubber	ø 142 soft solid rubber	7" Air/PUS solid rubber	7" Air/PUS solid rubber
	Code 325	Code 154	Code 154	Code 154	Code 154	Code 154	645/164 161	645/164 161
Pos. drive wheel in vario plate	Pos. 2	Pos. 2	Pos. 2	Pos. 3	Pos. 3	Pos. 4	Pos. 4	Pos. 5
Driving wheel	24 x 1 ³ / ₈ "	24 x 1 ³ / ₈ "	24 x 1 ³ / ₈ "	24 x 1 ³ / ₈ "	24 x 1 ³ / ₈ "	24 x 1 ³ / ₈ "	24 x 1 ³ / ₈ "	24 x 1 ³ / ₈ "
	Code 61	Code 61	Code 61	Code 61	Code 61	Code 61	Code 61	Code 61

Hemi-seat heights with side-ward displacement of castor stem			
22 x 1 ³ / ₈ "			
○ 39	○ 40	○ 42	○ 43
top	top	bottom	bottom
Short steering fork	Short steering fork	Short steering fork	Short steering fork
Code 173	Code 173	Code 173	Code 173
Pos. 2	Pos. 2	Pos. 2	Pos. 2
ø 125 solid rubber	ø 125 solid rubber	ø 125 solid rubber	ø 125 solid rubber
Code 325	Code 154	Code 325	Code 154
Pos. 1	Pos. 1	Pos. 2	Pos. 2
22 x 1 ³ / ₈ "	22 x 1 ³ / ₈ "	22 x 1 ³ / ₈ "	22 x 1 ³ / ₈ "
Code 67	Code 67	Code 67	Code 67

Order example: Desired seat height 51.5 cm, Code to be marked would be:

1. Code 61 = 24" drive wheel
2. Code 645 = 7 x 1³/₈" steering wheel, pneumatic

Manufacturer standard seat height 51.5 cm, seat angle 4° = standard setting for seat height table

How to measure a Meyra Eurochair

SEAT HEIGHT

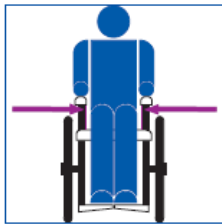


Measured from top of seat rail to floor.



Measured from top of seat rail to top of upholstery.

SEAT WIDTH



Measured from Outside of seat rail to outside of seat rail.

SEAT DEPTH



Measured from front of back cane to front of seat rail

Footplate height is measured from the top of the seat rail to the top of the footplate.