

Start^{M5} Comfort Adaptive Wheelchair

Article number: 480F53=50000



Standard Equipment

- Aluminium Frame
- Integrated Tip Assist
- Tension Adjustable Back Upholstery
- Quick Release Rear Wheels
- Rear Back Height 42.5cm
- Flip Up Armrests
- Swingaway Removable Individual Footrests

Maximum User weight 125Kg

	Order no.:

<input type="checkbox"/> Provide estimate only	<input type="checkbox"/> Order
Invoice address / Customer number	
Delivery address	
Sales person	Name
	Date Signature

Variant	Description	Price
480F53=50000***	Start ^{M5} Comfort – Lightweight Wheelchair	Add Charge
	Seat Width (SW) in cm	
	<input type="checkbox"/> 38 <input type="checkbox"/> 40.5 <input type="checkbox"/> 43 <input type="checkbox"/> 45.5 <input type="checkbox"/> 48	
	Seat Depth in cm	
	<input type="checkbox"/> Standard 43cm	Incl.
	<input type="checkbox"/> Custom - Please Select Depth <input type="checkbox"/> 40cm <input type="checkbox"/> 46cm	Add Charge
	Back Height	
	<input type="checkbox"/> Standard 42.5cm	Incl.
	<input type="checkbox"/> Custom - Please Select Height <input type="checkbox"/> 40cm <input type="checkbox"/> 45cm <input type="checkbox"/> 47cm	Add Charge
	Frame Accessories	
MA55	<input type="checkbox"/> Plug-on Anti-Tipper - Right	Add Charge
MA56	<input type="checkbox"/> Plug-on Anti-Tipper - Left	Add Charge
MA57	<input type="checkbox"/> Crutch Holder - Right	Add Charge
MA58	<input type="checkbox"/> Crutch Holder - Left	Add Charge
	Casters	
MF06	<input type="checkbox"/> 6" Solid Rubber	Incl.
MF04	<input type="checkbox"/> 5.5" Soft Rubber Casters	Add Charge
MF10	<input type="checkbox"/> 8" Solid Rubber	Add Charge
	Caster Adapters (Hemi)	
MF81	<input type="checkbox"/> Hemi Adaptor with Short Fork - Right	Add Charge
MF81	<input type="checkbox"/> Hemi Adaptor with Short Fork - Left	Add Charge

Start ^{M5} Comfort		
	Brakes	
MH01	<input type="checkbox"/> Wheel Lock - Standard	Incl.
MH06	<input type="checkbox"/> Wheel Lock for User and Attendant	Add Charge
	Wheel Lock Accessories	
MH10	<input type="checkbox"/> Lever Extensions	Add Charge
	Push Handles	
MD51	<input type="checkbox"/> Standard	Incl.
MD52	<input type="checkbox"/> Height Adjustable Push Handles	Add Charge
	Back Accessories	
LTS-PBCO	<input type="checkbox"/> Nu-Tec Thoracic Supports- Push Button Swingaway Clamp on H/Ware	Add Charge
	Side Panels	
ME01	<input type="checkbox"/> Side Panel Standard - 1cm - 2cm Height Adjustment	Incl.
ME03	<input type="checkbox"/> Plug-on Side Panel	Add Charge
ME05	<input type="checkbox"/> Height Adjustable Side Panel "T Style" (10cm Adjust)	Add Charge
ME10	<input type="checkbox"/> Desk Side Panel - Stepped	Add Charge
481E53=ST092	<input type="checkbox"/> Longer Armrest Pads 365mm	Add Charge
	Side Panel Accessories	
ME60	<input type="checkbox"/> Tray	Add Charge
	Seat Cushion	
	Please Select Depth <input type="checkbox"/> 40 <input type="checkbox"/> 43 <input type="checkbox"/> 46	
MC01	<input type="checkbox"/> Basic	Add Charge
MC02	<input type="checkbox"/> CubicFoam seat cushion (thickness 5 cm)	Add Charge
MC03	<input type="checkbox"/> CombiFoam seat cushion (thickness 5 cm)	Add Charge
MC07	<input type="checkbox"/> Askle Prevogel Cushion <input type="checkbox"/> 40 x 40cm <input type="checkbox"/> 43 x 45cm	Add Charge
MC06	<input type="checkbox"/> Askle Dual Membrane <input type="checkbox"/> 40.5 x 44cm <input type="checkbox"/> 43 x 44cm <input type="checkbox"/> 45 x 44cm	Add Charge
	Footplate Assembly	
MB10	<input type="checkbox"/> Individual Angle-Adjustable	Incl.
MB16	<input type="checkbox"/> Elevating Footrest Right	Add Charge
MB17	<input type="checkbox"/> Elevating Footrest Left	Add Charge
MB21	<input type="checkbox"/> Stump Support Right	Add Charge
MB22	<input type="checkbox"/> Stump Support Left	Add Charge
MB03	<input type="checkbox"/> Single Panel Footrest	Add Charge
	Lap Belts	
PB-PHB-A	<input type="checkbox"/> Nu-Tec Padded Hip Belt - Adult - 2" x 48" w/ auto style buckle	Add Charge
PB-PHBL-CP	<input type="checkbox"/> Nu-Tec Padded Hip Belt - Center Pull - Large	Add Charge
PB-4PL-CP	<input type="checkbox"/> Nu-Tec Four Point Hip Belt - Center Pull - Large	Add Charge
MZ50	<input type="checkbox"/> Lap Belt with Plastic Clip 50mm	Add Charge
	Spoke Protectors	
MG90	<input type="checkbox"/> Spoke Protector Transparent	Add Charge
MG91	<input type="checkbox"/> Spoke Protector Eye	Add Charge
MG94	<input type="checkbox"/> Spoke Protector Fire	Add Charge
MG92	<input type="checkbox"/> Spoke Protector Flower Power	Add Charge
MG93	<input type="checkbox"/> Spoke Protector Clown	Add Charge
	Other Accessories	
MZ52	<input type="checkbox"/> Tool kit	Add Charge
MZ58	<input type="checkbox"/> Anchor Point Kit for Transportation in a Motor Vehicle	Add Charge
481G53=SK009	<input type="checkbox"/> Effect Axle plates for Amputee Setting	Add Charge
	Special Order Options - Allow 4 to 6 Weeks Delivery	
MG82	<input type="checkbox"/> 24" One-Arm-Drive with Double Push Rings - PU Tyre	Add Charge
MG80	<input type="checkbox"/> Rear Wheel with Drum Brake for Attendant	Add Charge

Start M1, M2, M3, M4, M5, M6
Anterior seat height (in cm)
without wider foot space

Caster fork, short		
Position		Setting range*
Caster diameter	5"	40-44
	5.5"	42-45
	6"	42-45
	7"	45-47
	8"	47-48
Caster fork, long		
Position		Setting range*
Caster diameter	5"	42-46
	5.5"	42-47
	6"	43-47
	7"	44-49
	8"	46-50

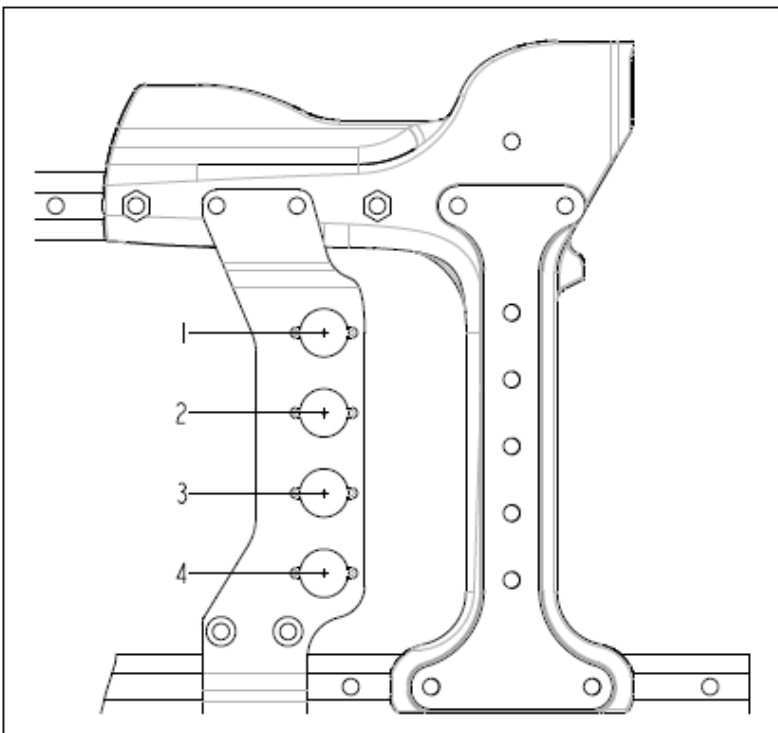
* Indications without seat cushion and with a seat inclination of 0°

Anterior seat height-posterior seat height <= 3.5 cm

Casters in dependency of the anterior seat height

Caster fork in dependency of the anterior seat height and casters

Rear wheel size in dependency of the posterior seat height



Start M4, M5
Posterior seat height (in cm)

Free mounting positions	Rear wheel size	
	22"	24"
1	38	41
2	41	44
3	44	47
4	47	50