

Start^{M1} Intro Lightweight Wheelchair

	Order no.: _____
---	-------------------------



<input type="checkbox"/> Provide estimate only	<input type="checkbox"/> Order
Invoice address / Customer number	
Delivery address	
Sales person	Name
 Date Signature

Standard Equipment

- Aluminum tube frame
- Tip-assist integrated into the frame
- Individual footrests, angle adjustable, plastic footplate
- Swing-away footrest holders
- Desk side panel, different height settings possible; with armrest
- Seat and back upholstery of black nylon
- Modular design
- Rear wheels with quick-release axles
- Wheel lock
- Frame color: silver metallic
- 24" rear wheel with PU tire

Factory presets:

- Seat depth: 43 cm
- Back height: 42.5 cm
- Front seat height: 49 cm; seat inclination: 3 cm

Folding; max. user weight: 125 kg

Variant		Price
	Start^{M1} Intro Standard Chair	
480F53=10101	<input type="checkbox"/> 40.5 Standard Intro	Add Charge
480F53=10103	<input type="checkbox"/> 45.5 Standard Intro	Add Charge
480F53=10105	<input type="checkbox"/> 50.5 Standard Intro	Add Charge
	Start^{M1} Intro with Drum Brake (Special Order)	
480F53=10203	<input type="checkbox"/> 45.5 Intro with Drum Brake	Add Charge
480F53=10205	<input type="checkbox"/> 50.5 Intro with Drum Brake	Add Charge
	Start^{M1} Intro with Reclining Back & Drum Brake	
480F53=10403	<input type="checkbox"/> 45.5 Intro with Reclining Back & Drum Brake	Add Charge
480F53=10405	<input type="checkbox"/> 50.5 Intro with Reclining Back & Drum Brake	Add Charge
	Start^{M2} Effect with One Arm Drive (Not Available On Intro)	
480F53=20000-40.5	<input type="checkbox"/> 40.5cm Seat Width	Add Charge
480F53=20000-45.5	<input type="checkbox"/> 45.5cm Seat Width	Add Charge
MG82	<input type="checkbox"/> One Arm Drive with Double Push Rings (For Start M2 Effect Only)	Add Charge
	Seat Depth	
	<input type="checkbox"/> Standard 43cm	Incl.
	<input type="checkbox"/> Custom - Please Select Depth <input type="checkbox"/> 40cm <input type="checkbox"/> 46cm	Add Charge

Start ^{M1} Intro		
	Accessories for Start ^{M1} Intro	
MA55	<input type="checkbox"/> Plug-on Anti-Tipper - Right	Add Charge
MA56	<input type="checkbox"/> Plug-on Anti-Tipper - Left	Add Charge
MA57	<input type="checkbox"/> Crutch Holder - Right	Add Charge
MA58	<input type="checkbox"/> Crutch Holder - Left	Add Charge
	Casters	
MF06	<input type="checkbox"/> 6" Solid Rubber	Add Charge
MF10	<input type="checkbox"/> 8" Solid Rubber	Incl.
	Brakes	
MH01	<input type="checkbox"/> Wheel Lock - Standard	Incl.
MH06	<input type="checkbox"/> Dual Acting Wheel Lock for User and Attendant	Add Charge
	Wheel Lock Accessories	
MH10	<input type="checkbox"/> Wheel lock lever extensions	Add Charge
	Push Handles	
MD51	<input type="checkbox"/> Standard	Incl.
MD52	<input type="checkbox"/> Height Adjustable Push Handles	Add Charge
	Back Accessories	
MD05	<input type="checkbox"/> Tension Adjust Back Upholstery (Not Available for Reclining Back Version)	Add Charge
LTS-PBCO	<input type="checkbox"/> Nu-Tec Thoracic Supports- Push Button Swingaway Clamp on H/Ware Only able to be used with the Tension Adjust Back Upholstery	Add Charge
	Side Panels	
ME01	<input type="checkbox"/> Side Panel Standard - 1cm - 2cm Height Adjustment	Incl.
ME05	<input type="checkbox"/> Height Adjustable Side Panel " T Style" (10cm Adjust)	Add Charge
ME10	<input type="checkbox"/> Desk Side Panel - Stepped	Add Charge
481E53=ST092	<input type="checkbox"/> Longer Armrest Pads 365mm <input type="checkbox"/> 1 Pc <input type="checkbox"/> 2 Pc	Add Charge
	Side Panel Accessories	
ME60	<input type="checkbox"/> Tray	Add Charge
	Seat Cushion	
	Please Select Seat Depth <input type="checkbox"/> 40 <input type="checkbox"/> 43 <input type="checkbox"/> 46	
MC01	<input type="checkbox"/> Basic	Add Charge
MC02	<input type="checkbox"/> CubicFoam Seat Cushion (Thickness 5 cm)	Add Charge
MC03	<input type="checkbox"/> CombiFoam Seat Cushion (Thickness 5 cm)	Add Charge
MC07	<input type="checkbox"/> Askle Prevogel Cushion	Add Charge
MC06	<input type="checkbox"/> Askle Dual Membrane	Add Charge
	Footplate Assembly	
MB10	<input type="checkbox"/> Individual footrests, angle-adjustable, plastic footplate	Incl.
MB15	<input type="checkbox"/> Elevating Footrest (Pair)	Add Charge
MB21	<input type="checkbox"/> Stump Support Right	Add Charge
MB22	<input type="checkbox"/> Stump Support Left	Add Charge
	Lap Belts	
PB-PHB-A	<input type="checkbox"/> Nu-Tec Padded Hip Belt - Adult - 2" x 48" w/ auto style buckle	Add Charge
PB-PHBL-CP	<input type="checkbox"/> Nu-Tec Padded Hip Belt - Center Pull - Large	Add Charge
PB-4PL-CP	<input type="checkbox"/> Nu-Tec Four Point Hip Belt - Center Pull - Large	Add Charge
MZ50	<input type="checkbox"/> Lap Belt with Plastic Clip 50mm	Add Charge
	Spoke Protectors	
MG90	<input type="checkbox"/> Spoke Protector Transparent	Add Charge
MG91	<input type="checkbox"/> Spoke Protector Eye	Add Charge
MG94	<input type="checkbox"/> Spoke Protector Fire	Add Charge
MG92	<input type="checkbox"/> Spoke Protector Flower Power	Add Charge
MG93	<input type="checkbox"/> Spoke Protector Clown	Add Charge
	Other Accessories	
MZ52	<input type="checkbox"/> Tool kit	Add Charge
MZ58	<input type="checkbox"/> Anchor Point Kit for Transportation (Max Load 100 Kg)	Add Charge

Start M1, M2, M3, M4, M5, M6
Anterior seat height (in cm)
without wider foot space

Caster fork, short		
Position		Setting range*
Caster diameter	5"	40-44
	5.5"	42-45
	6"	42-45
	7"	45-47
	8"	47-48
Caster fork, long		
Position		Setting range*
Caster diameter	5"	42-46
	5.5"	42-47
	6"	43-47
	7"	44-49
	8"	46-50

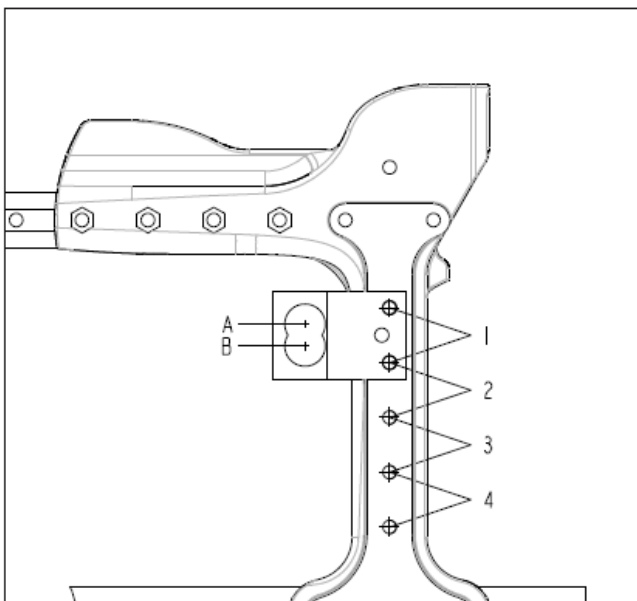
* Indications without seat cushion and with a seat inclination of 0°

Anterior seat height-posterior seat height ≤ 3.5 cm

Casters in dependency of the anterior seat height

Caster fork in dependency of the anterior seat height and casters

Rear wheel size in dependency of the posterior seat height



Start M1, M2, M6
Posterior seat height (in cm)

Posterior seat height		Setting range
Rear wheel size	20"	35-45
	22"	37-47
	24"	43-50